

3-valve Manifold (Installation accessories)

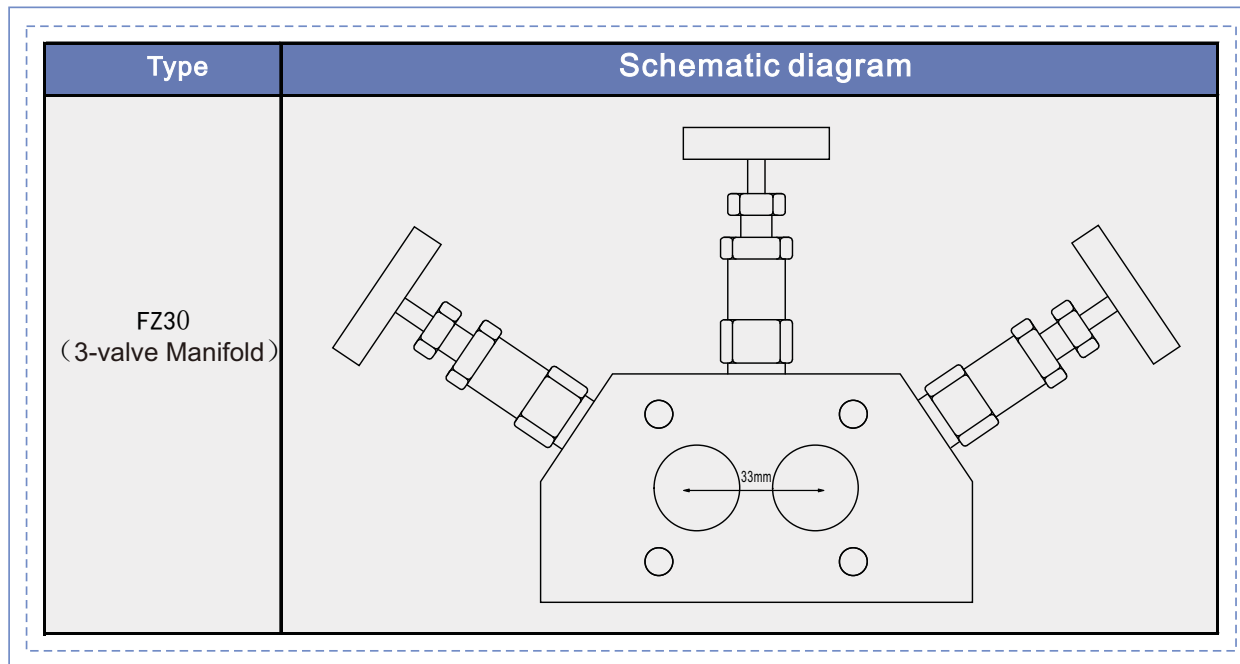


Table 29. 3-valve Manifold Selection

0 =Provide - =Not provide

FZ	Code	Code description	30
Types	30	3-valve Manifold	0
Separator	-	Detailed specifications as following	
Material	4	304 stainless steel	0
	6	316 stainless steel	0
	Y1	Customer	Discussed
Mechanical connection	N	1/2-14NPT(F)	0
	J	M20*1.5(M)	0
	C12	M20*1.5(M)with rear welding guiding pressure tube	0
	Y2	Customer	Discussed
Hole center distance between valve body two ends (Instruments side)	A	54mm	0
	B	55.2mm	0
	C	55.6mm	0
	D	57.2mm	0
	E	57.6mm	0
	Y3	Customer	Discussed
Hole center distance between valve body two ends (Mechanical connection side)	S	Standard 33mm	0
	Y4	Customer	Discussed
Special requirement	Y5	Special explain	Discussed
Example	FZ30-4NAS		