

## 5-valve Manifold ( Installation accessories)

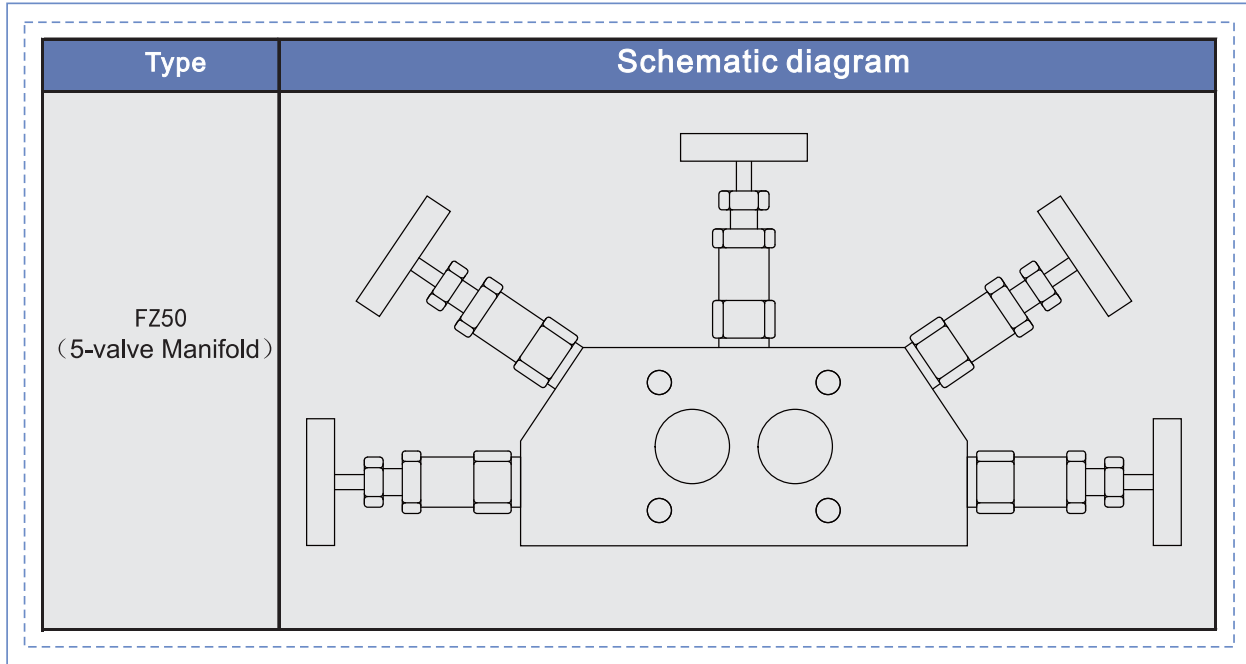


Table 30. 5-valve Manifold Selection

0 =Provide - =Not provide

FZ	Code	Code description	50
Types	50	5-valve Manifold	○
Separator	-	Detailed specifications as following	
Material	4	304 stainless steel	○
	6	316 stainless steel	○
	Y1	Customer	Discussed
Mechanical connection	N	1/2-14NPT(F)	○
	J	M20*1.5(M)	○
	C12	M20*1.5(M)with rear welding guiding pressure tube	○
	Y2	Customer	Discussed
Hole center distance between valve body two ends ( Instruments side)	A	54mm	○
	B	55.2mm	○
	C	55.6mm	○
	D	57.2mm	○
	E	57.6mm	○
	Y3	Customer	Discussed
Hole center distance between valve body two ends ( Mechanical connection side)	S	Standard 33mm ( can omit)	○
	Y4	Customer	Discussed
Special requirement	Y5	Special explain (can omit )	Discussed
Example	FZ50-4NAS		

2-valve Manifold ( Installation accessories)

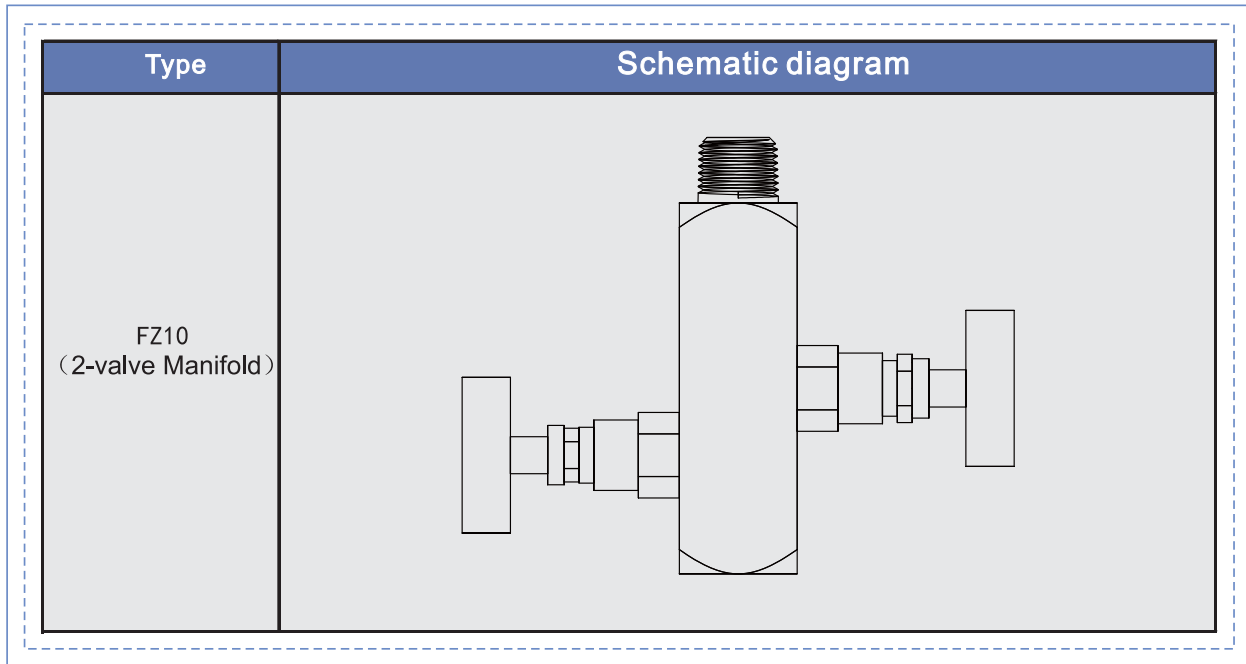


Table 31. 2-valve Manifold Selection

0 =Provide - =Not provide

FZ	Code	Code description	10
Types	10	2-valve Manifold	0
Separator	-	Detailed specifications as following	
Material	4	304 stainless steel	0
	6	316 stainless steel	0
	Y1	Customer	Discussed
Mechanical connection 1	H	None ( welded)	0
	N	1/2NPT(F)	0
	Y2	Customer	Discussed
Mechanical connection 2	H	None ( welded)	0
	N	1/2NPT(F)	0
	Y3	Customer	Discussed
Special requirement	Y4	Special explain (can omit)	Discussed
Example	FZ10-4NN		